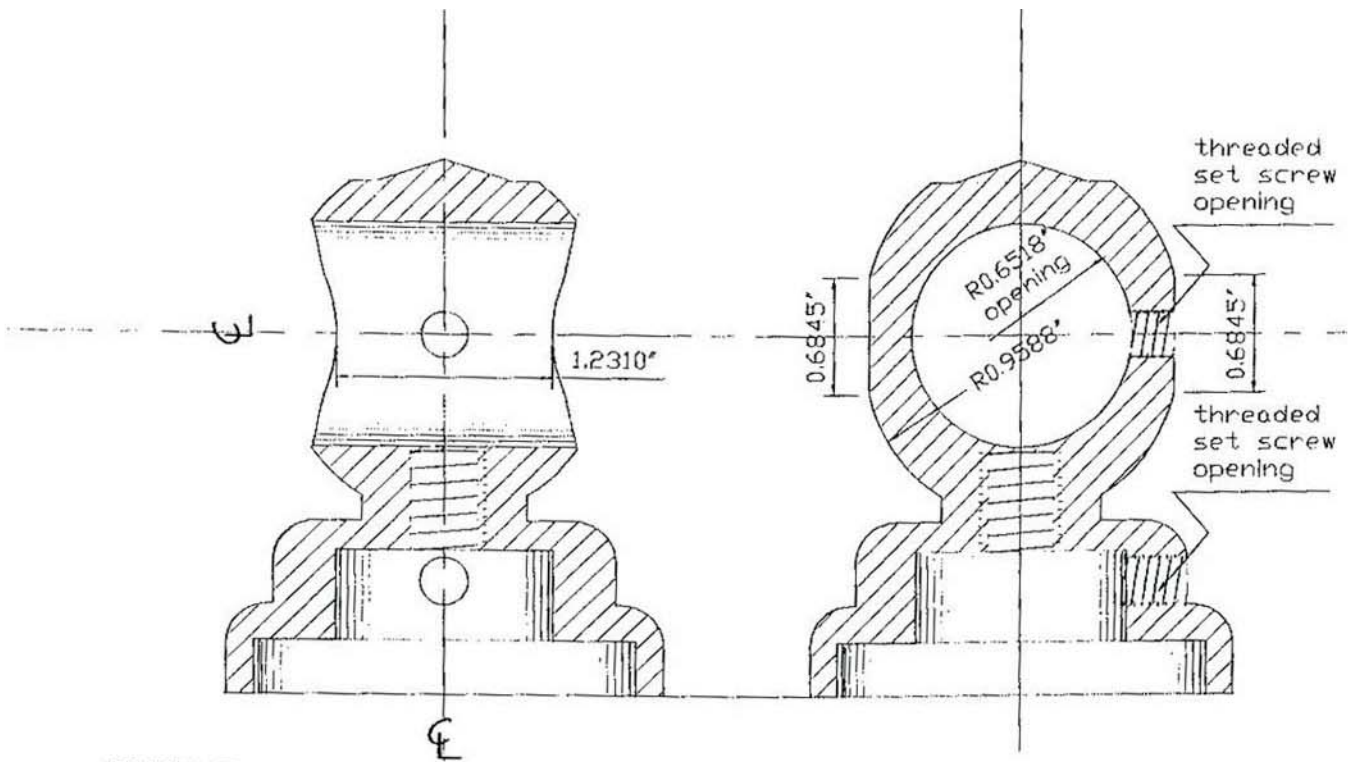




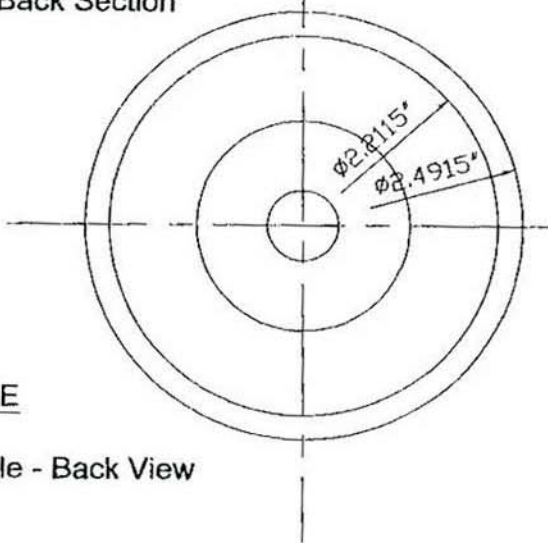
**Drawings & Materials for the
Following:**

- ADA
- End Caps
- Res Fixtures



FIXTURE

Full Scale -
Front to Back Section



FIXTURE

Full Scale - Back View

FIXTURE

Full Scale - Side Section

SPECIFICATIONS:

Material:

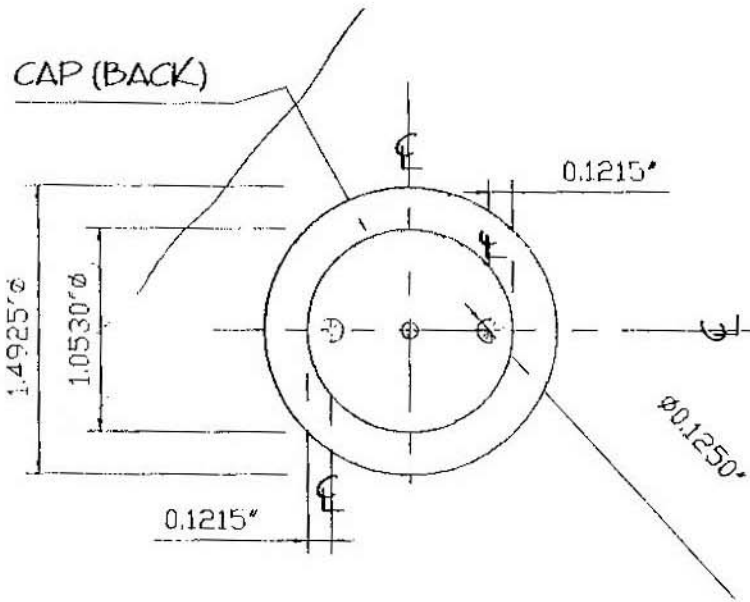
Machined one piece
Extrusion Material

Size:

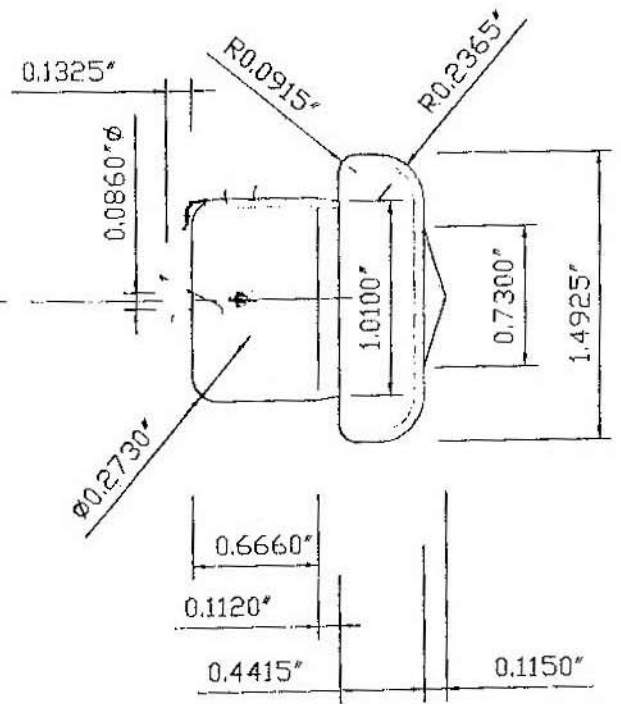
2 1/2" diameter
X 4 1/4" length



GREATGRABZ™
safety with style



END CAP - BACK VIEW
Full Scale



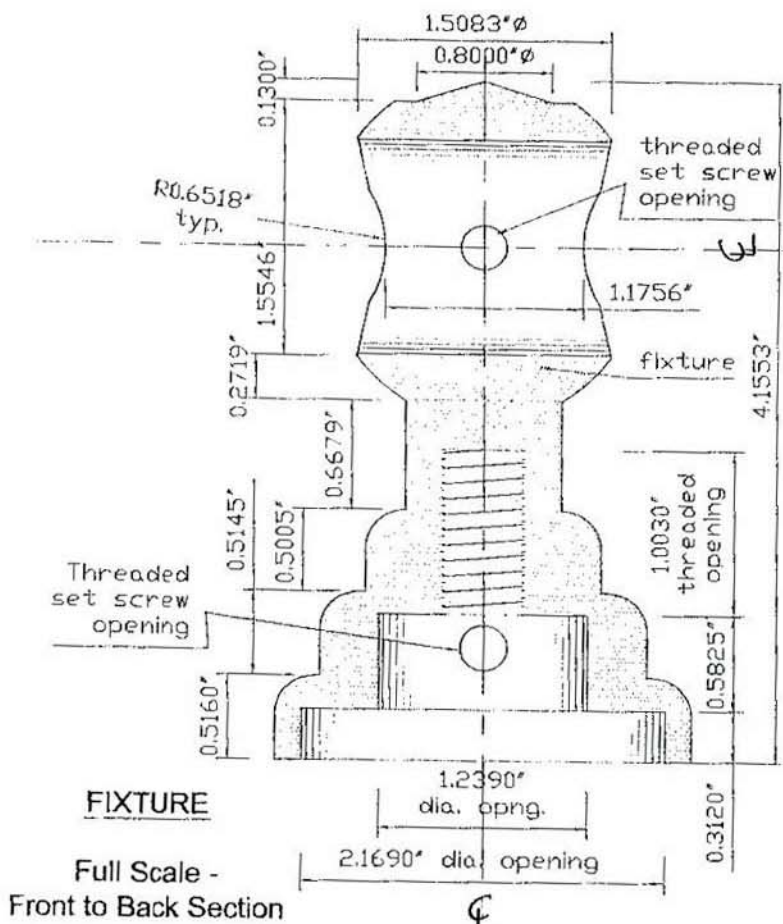
END CAP - SIDE VIEW
Full Scale

SPECIFICATIONS:

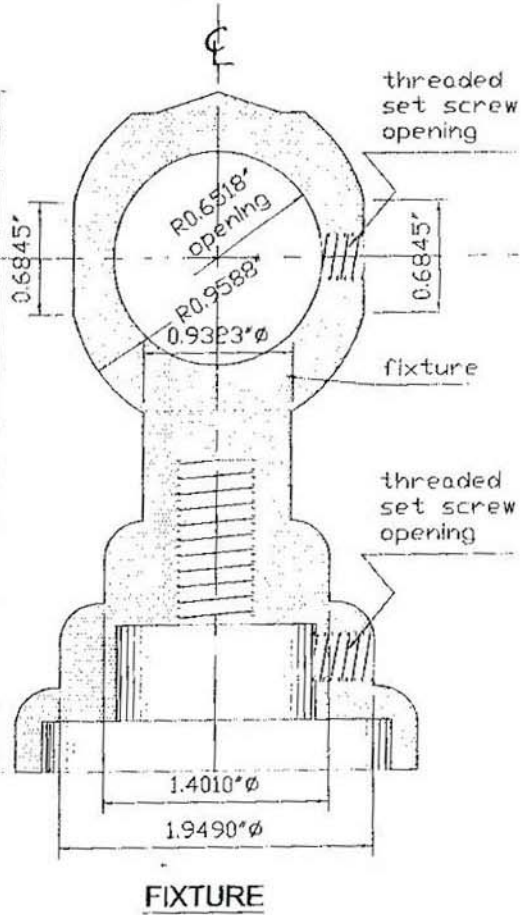


GREATGRABZ™

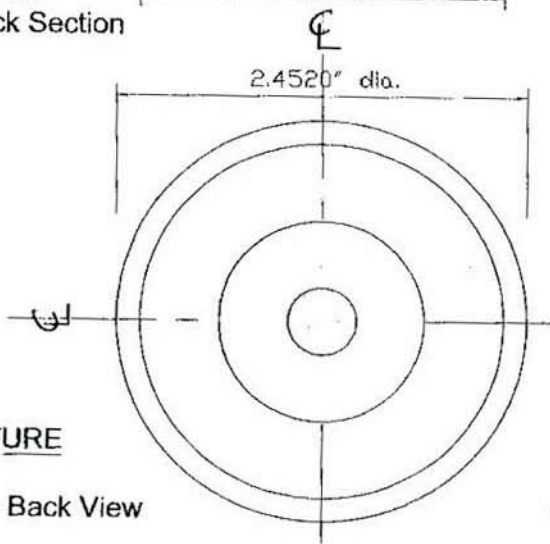
safety with style



Full Scale -
Front to Back Section



Full Scale - Side Section



Full Scale - Back View

SPECIFICATIONS:

Material:

Machined one piece
Extrusion Material

Size:

2 1/2" diameter
X 4 1/4" length



GREATGRABZ™
Safety with style