



**CAUTION RISK OF INJURY!**

Understand these instructions prior to using product.

Due to the potential risks associated with head / limb entrapment, the Assista-Rail<sup>TM</sup> is not recommended for users with the following conditions: erratic body movements, altered mental status, pre-existing conditions such as confusion, restlessness and dementia.

**VERTICAL LOAD BEARING ONLY** - DO NOT use if you require more than minimal sideward (lateral) support.

Maximum user weight 250lbs/113kg.

Do not use on wet or slippery floors.

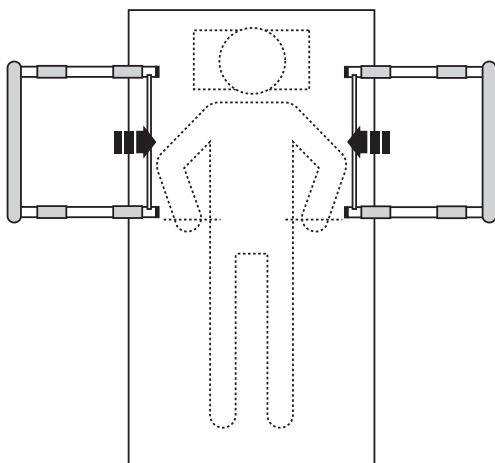
Do not use with electric or hospital style beds.

Supplied strap must be installed, tightened and regularly inspected for secure operation.

Lock casters on mobile beds prior to using rail.

For more info, visit [www.patientsafetycenter.com](http://www.patientsafetycenter.com)

**A Installation Preparation**

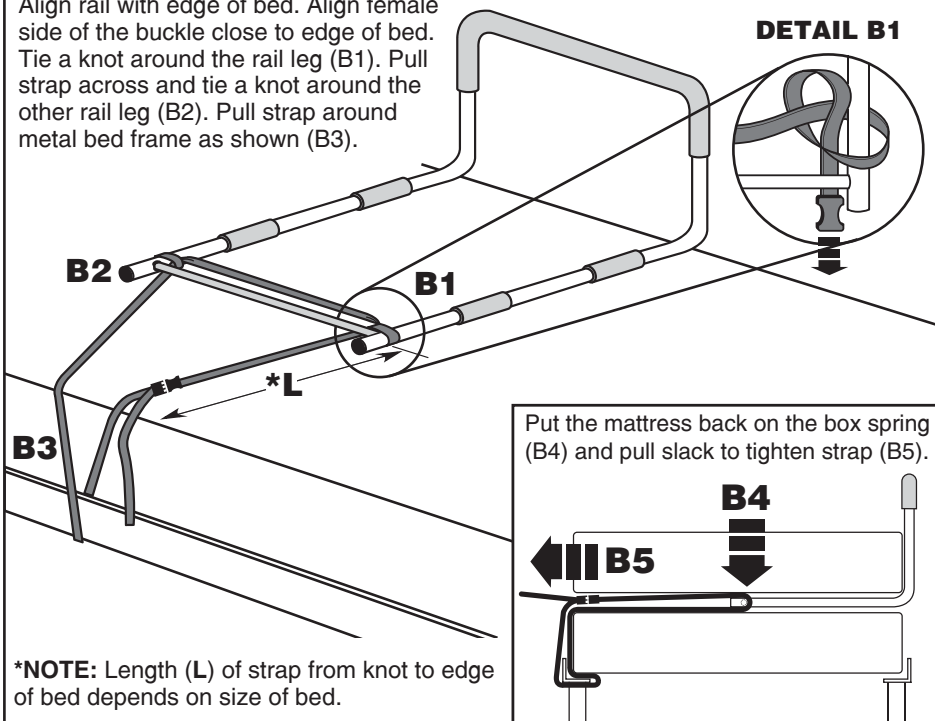


Remove bed mattress, pillows, etc. to expose box spring.

Locate tube furthest from head of bed adjacent to hip as shown.

**B Install Safety Strap (MANDATORY)**

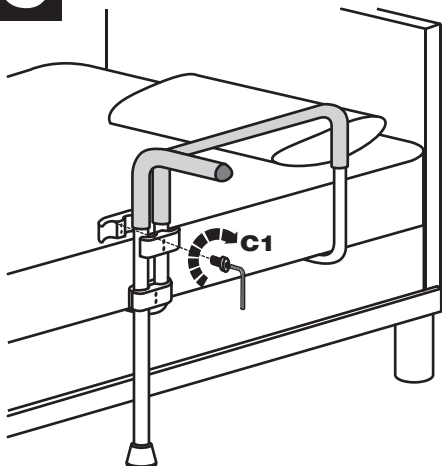
Align rail with edge of bed. Align female side of the buckle close to edge of bed. Tie a knot around the rail leg (B1). Pull strap across and tie a knot around the other rail leg (B2). Pull strap around metal bed frame as shown (B3).



\*NOTE: Length (L) of strap from knot to edge of bed depends on size of bed.

**C Install Assista-Cane<sup>TM</sup> (Optional)**

Install the Assista-Cane<sup>TM</sup> on the bed rail vertical tube furthest from the headboard (as shown) by tightening the screws through the safety clamps (C1) to fix rail in an outward position.



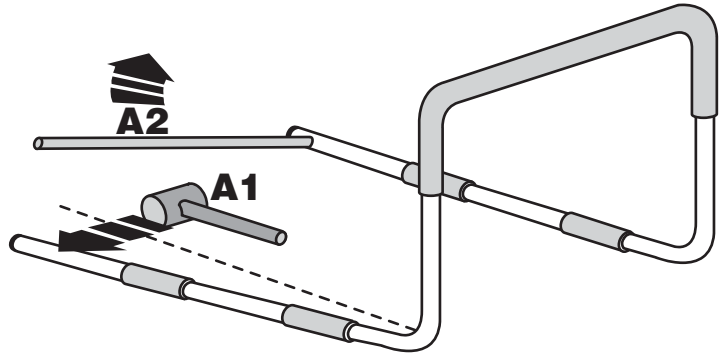
- ⚠ Assista-Cane<sup>TM</sup> and safety clamps are to be used exclusively with Assista-Rail<sup>TM</sup>. Failure to comply with instructions may cause injury.
- ⚠ Assista-Cane<sup>TM</sup> option to be installed in an outward position from the bed (as shown) or neck entrapment causing injury or death may result.
- ⚠ Ensure that clamping screws are tightened on a regular basis.
- ⚠ Do not use if more than minimal sideward (lateral) support is needed.
- ⚠ Assista-Cane<sup>TM</sup> may move/pivot if subjected to excessive side force. Reposition cane and re-tighten screws.

(REFER TO FRONT FOR GENERAL INSTALLATION & SAFETY GUIDELINES)

Model AST-C,AST-S,  
AST-C-AK & AST-KIT

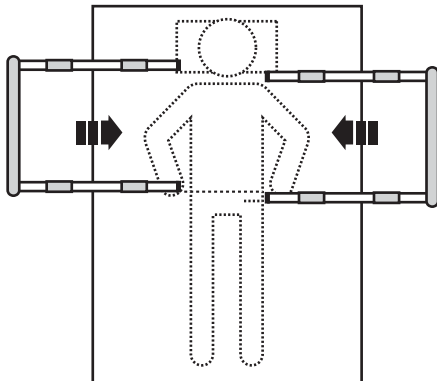
## A Remove Cross Beam

Spread rail legs apart with rubber hammer (A1) to remove cross bar (A2).

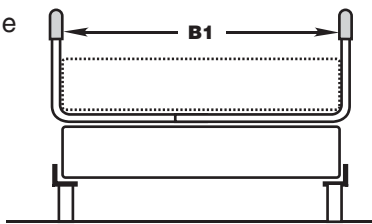


## B Installation Preparation

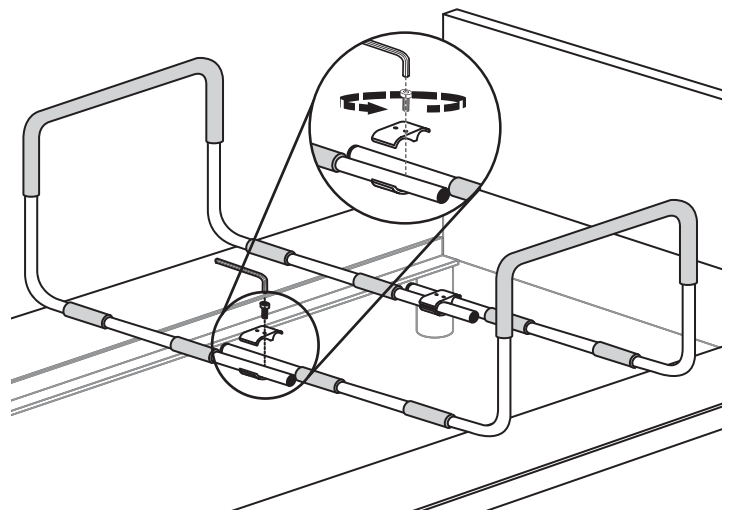
Make sure cross bars are removed in step A1 / A2. Remove bed mattress, pillows, etc. to expose box spring. Locate tube furthest from head of bed, adjacent to hip as shown.



Adjust the distance of the rails so it fits around the mattress (B1).

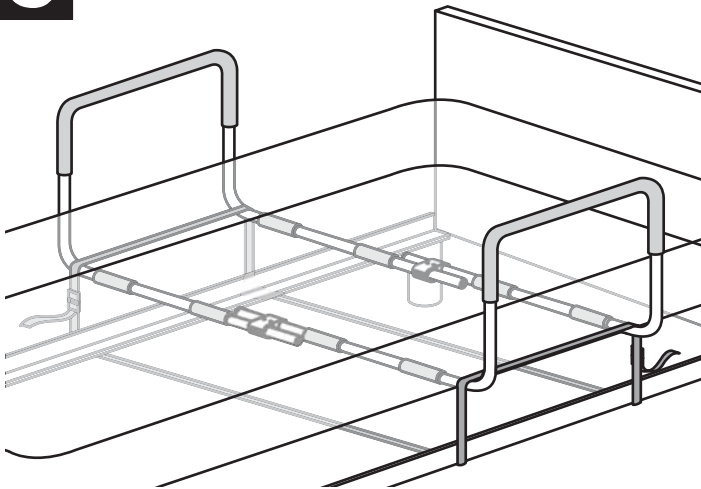


## C Secure Safety Clamps (MANDATORY)



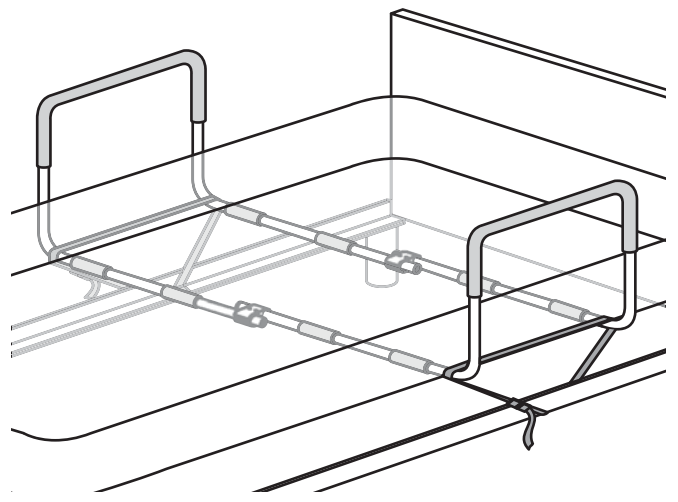
Tighten the bolts on the safety clamp to secure the two rails together (x2).

## C Secure Safety Strapping (MANDATORY)



### For Single to Queen Sized Beds

Place mattress back on top of the box spring. Attach the straps from the two rails together to make one large strap. Place strap around the rail, under the bed, around the other rail and tighten. If the Assista-Cane™ is to be installed, refer to installation instructions on Page 1.



### For King or Larger Sized Beds

Place mattress back on top of the box spring. Place the strap around each rail, loop around the metal bed frame and tighten. If the Assista-Cane™ is to be installed, refer to installation instructions on Page 1.