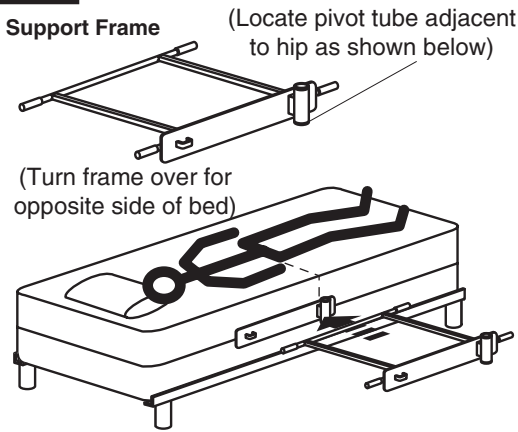


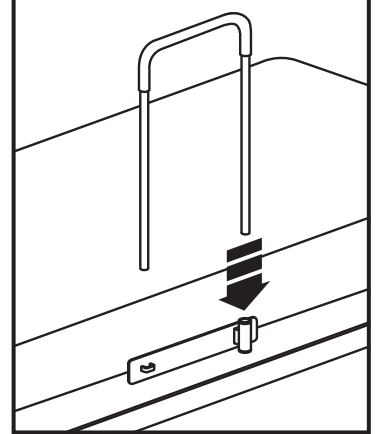
**CAUTION**  
**RISK OF INJURY!**

Understand these instructions prior to using product.  
**VERTICAL LOAD BEARING ONLY** - Product intended for moderate VERTICAL weight bearing on rail only. DO NOT use if sideward (lateral) support is needed.  
**AVOID RAIL LATCH UNLOCKING** - Ensure that rail is at least 2"/50mm off floor when rail is in locked position. (Soft type box spring beds can compress downward under load allowing support frame to move down, and rail to become unlatched).  
 Maximum user weight 250lbs/113kg.  
 Do not use on wet or slippery floors.  
 Do not use with electric or hospital style beds.  
 Supplied strap must be installed for secure operation.  
 Product intended for moderate assistance with sitting up and standing only.

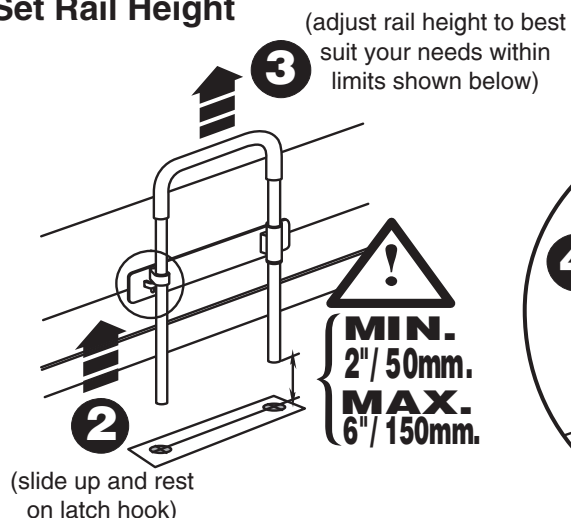
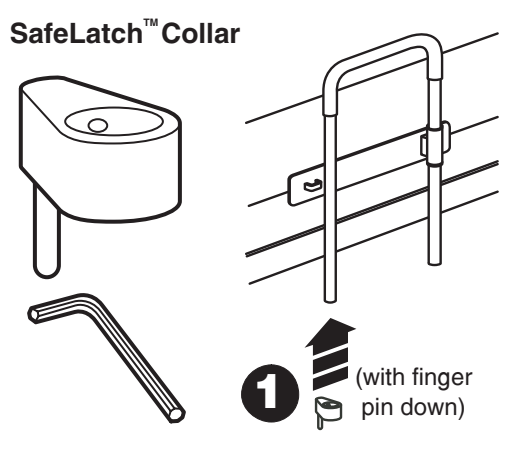
**1** **Insert Support Frame**



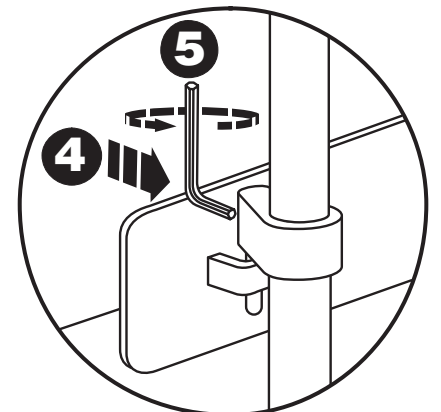
**2** **Insert Rail**



**3** **Install SafeLatch™ Collar & Set Rail Height**

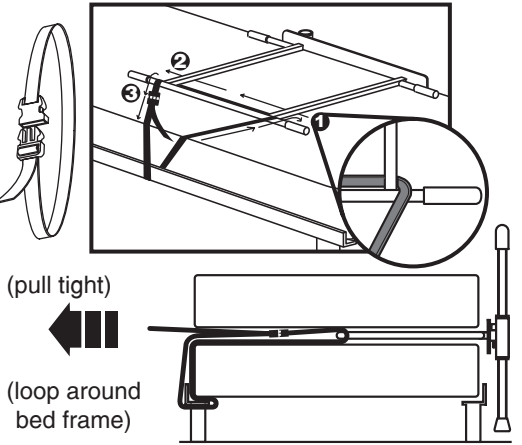


(with rail at correct height, turn set screw until collar is tight on rail)

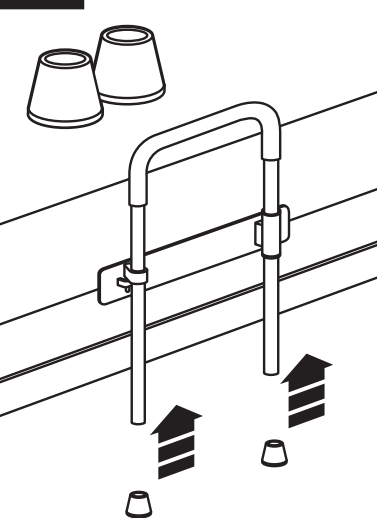


**4** **Install Safety Strap**

Install strap over round tube (1), under and across both square tubes (2), and back over round tube (3) as shown below.



**5** **Install Cane Tips**



**SUGGESTIONS...**

